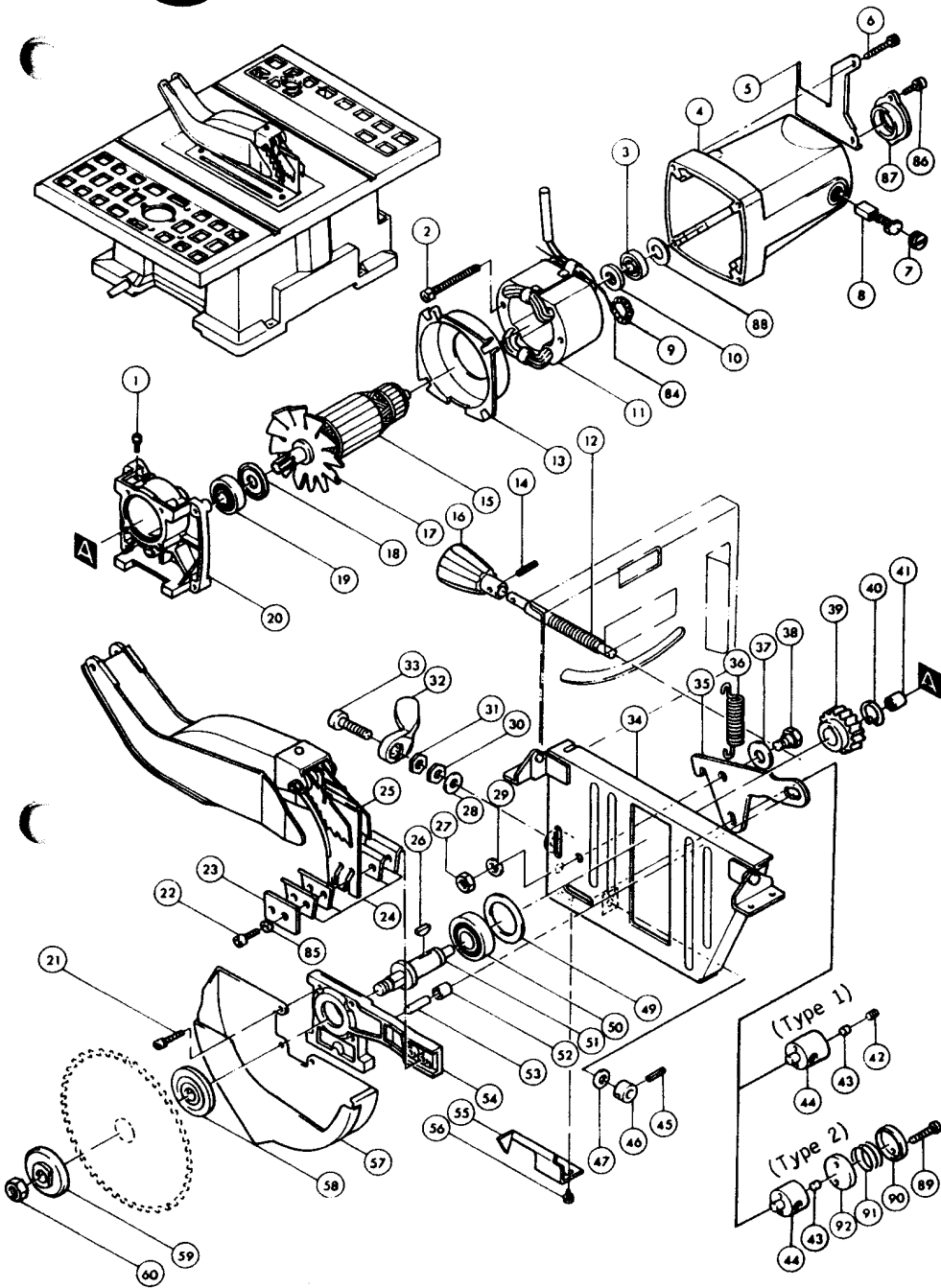


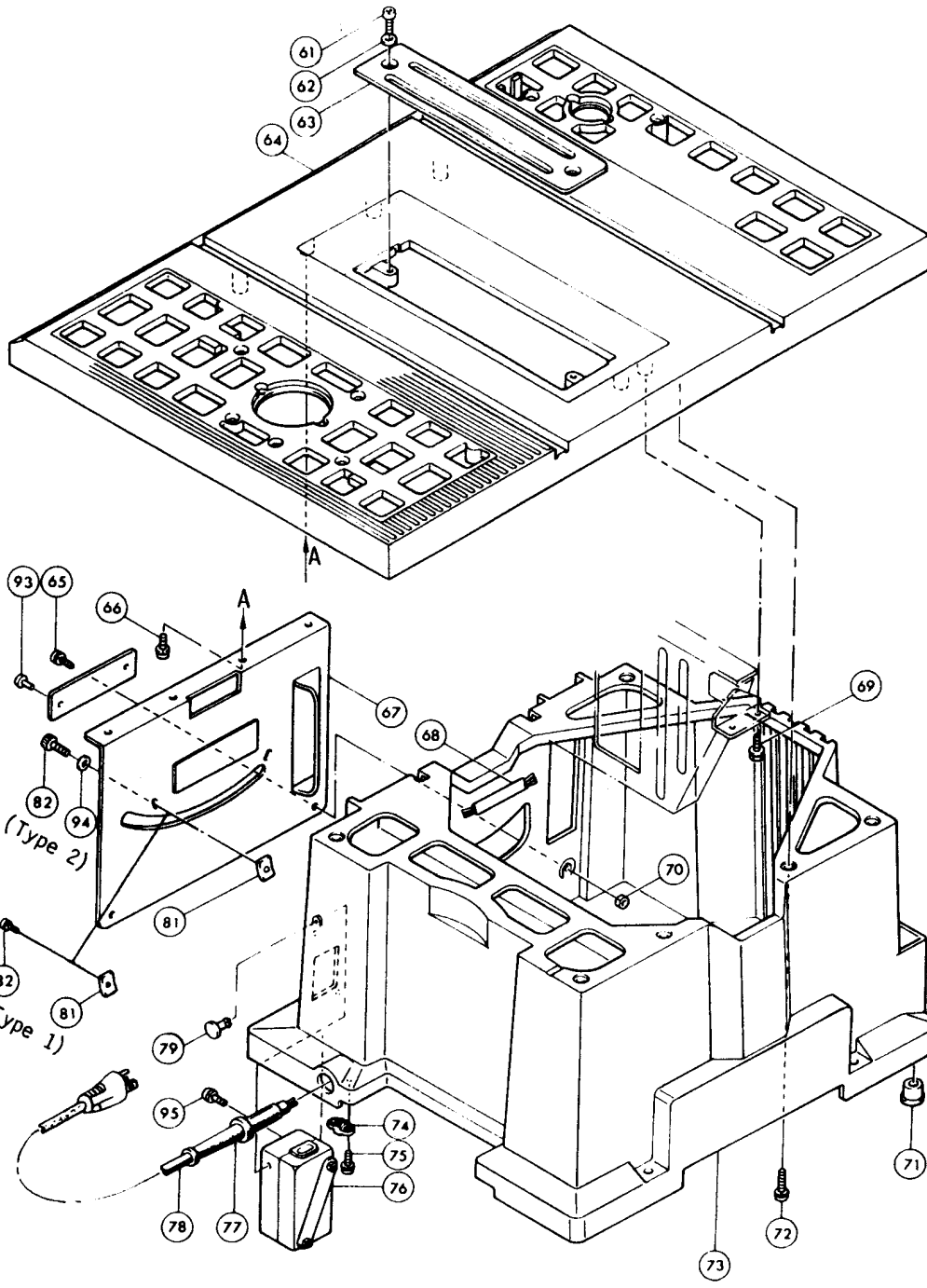


# 8 1/4" TABLE SAW Model 2708

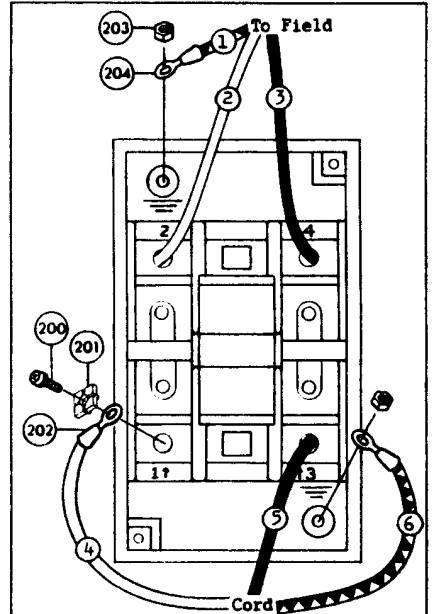


Item No.	Part No.	No. Used	Description
9	654020-2	2	Garner Spring
10	*	1	Insulation Washer
11	624696-9	1	Field Assembly (With Items 9 & 84)
12	321478-7	1	Screw Bar M12
13	411448-5	1	Baffle Plate (Fan Guide)
14	951157-9	1	Spring Pin 5-16
15	614550-5	1	Armature Assembly * (Includes Items 3, 10 & 17-19)
16	271254-8	1	Knob 45
17	241054-0	1	Fan 92
18	213202-1	1	Dust Seal 15
19	211206-7	1	Ball Bearing 6202LLB
20	315431-3	1	Gear Housing
21	911241-2	4	Pan Head Screw M5x25
22	922317-0	2	Hex Square Head Bolt M6x14
23	341927-8	1	Pressure Plate
24	341928-6	4	Adjust Washer
25	168110-0	1	Blade Guard (With Flat Washer 12 253746-9, Torsion Spring 15 231558-0 & Spring Pin 4-24 951119-7)
26	254013-5	1	Woodruff Key 5
27	931502-4	1	Hex Nut M10
28	253024-7	1	Flat Washer 10
29	942251-8	1	Spring Washer 10
30	252063-4	1	Hex Nut M10-6
31	252063-4	1	Hex Nut M10-6
32	272214-3	1	Lever 80
33	265811-2	1	Hex Square Head Bolt M10x35
34	168098-4	1	Frame
35	341870-1	1	Link
36	231758-2	1	Tension Spring 13
37	253813-0	1	Flat Washer 12
38	265279-2	1	Hex Bolt M10
39	221731-0	1	Helical Gear 45
40	961060-6	1	Retaining Ring S-20
41	212066-0	1	Needle Bearing 1015
42	913411-9	1	Set Screw M8x10 (Type 1)
43	263006-1	1	Nylon Pin 6 (Type 1)
	263015-0	1	Nylon Pin 10 (Type 2)
44	321479-5	1	Feed Nut (Type 1)
	321741-8	1	Feed Nut (Type 2)
45	951157-9	1	Spring Pin 5-16
46	257588-3	1	Sleeve 9
47	253733-8	1	Flat Washer 9
49	253847-3	1	Flat Washer 40
50	211306-3	1	Ball Bearing 6204LLB
51	321568-6	1	Spindle
52	216112-1	1	Inner Race 810
53	256102-2	1	Pin 8 (Old 256006-8)
54	311574-9	1	Gear Housing Cover
55	341886-6	1	Pointer A
56	911204-8	2	Pan Head Screw M5x8
57	164622-1	1	Blade Cover
58	224119-3	1	5/8" Inner Flange 55
59	224201-8	1	Outer Flange 55
60	931602-0	1	Hex Nut M12
84	654502-4	2	Solderless Connector P-2
85	942151-2	2	Spring Washer 6
86	911221-8	2	Pan Head Screw M5x16
87	312749-3	1	Bearing Box
88	253794-8	1	Flat Washer 18 (Old)
89	911252-7	2	Pan Head Screw M5x30 (Type 2)
90	342797-8	1	Retainer (Type 2)
91	231378-2	1	Compression Spring 24 (Type 2)
92	342797-8	1	Retainer (Type 2)

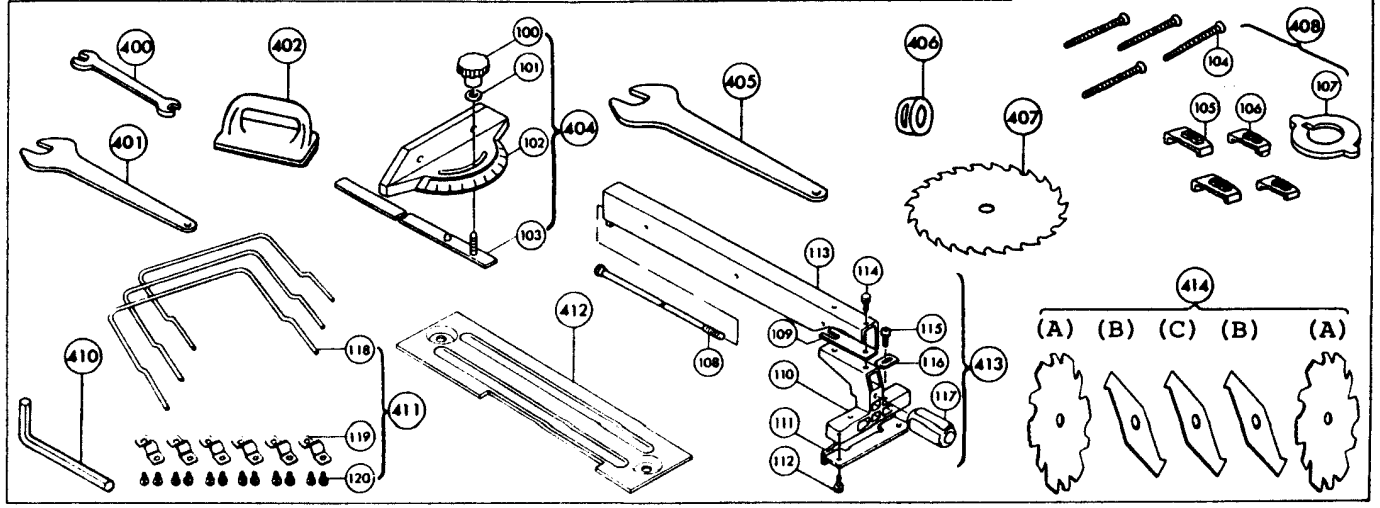
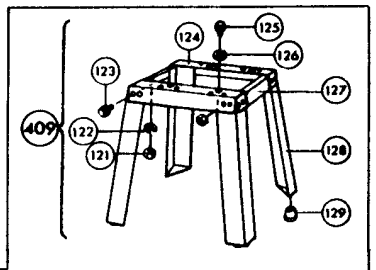
Item No.	Part No.	No. Used	Description
1	652012-5	1	Pan Head Screw M4x8
2	925288-0	2	(+) Hex Bolt M5x65
3	211068-3	1	Ball Bearing 6200LB
4	156138-0	1	Motor Housing (With Brush Holder 6.5-13.5 643653-8 x 2, Set Screw M5x8 913206-0 x 2 & Rubber Pin 4 263002-9)
5	341887-4	1	Pointer B
6	911263-2	4	Pan Head Screw M5x40
7	643650-4	2	Brush Holder Cap 6.5-13.5
8	181041-6	2	Carbon Brush CB-152 (Old 181044-0)
	181048-2	2	Auto Cut-Off Carbon Brush CB-155 (Optional)



**WIRING DIAGRAM**



Wire No.	Wire Colour	Origin
1	Green	Field
2	White	
3	Black	
4	White	Cord
5	Black	
6	Green	



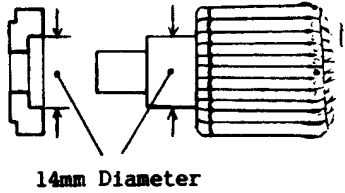
Item No.	Part No.	No. Used	Description	Item No.	Part No.	No. Used	Description
61	911322-2	2	Pan Head Screw M6x16	115	911214-5	1	Pan Head Screw M5x12
62	941151-9	2	Flat Washer 6	116	816099-3	1	Indication Plate
63	341869-6	1	Table Insert	117	273465-1	1	Grip 28
64	155506-4	1	Table (Includes Scale Label (R) 816633-9 & Scale Label (L) 816634-7)	118	321513-1	3	Holder
65	911316-7	2	Pan Head Screw M6x14 (With Washer)	119	341871-9	6	Clamp
66	911316-7	4	Pan Head Screw M6x14 (With Washer)	120	911316-7	12	Pan Head Screw M6x14 (With Washer)
67	155507-2	1	Front Plate (Includes Scale Label 816629-0 & Bevel Scale Label 816100-4)	121	931402-8	20	Hex Nut M8
68	----	1	Cord (Use 664723-0 . Cut to required length)	122	942201-3	16	Spring Washer 8
69	925316-1	4	(+) Hex Bolt M6x14	123	265823-5	16	Cap Square Neck Bolt M8x14
70	931302-2	2	Hex Nut M6	124	341948-0	2	Stand Stay A
71	286202-4	4	Cap 20	125	921461-0	4	Hex Bolt M8x40 (With Washer)
72	911344-2	6	Pan Head Screw M6x25	126	941201-0	4	Flat Washer 8
73	411964-7	1	Base Complete	127	341953-7	2	Stand Stay B
74	687001-1	1	Strain Relief	128	164647-5	4	Stand Leg
75	911131-9	2	Pan Head Screw M4x18 (With Washer)	129	286215-5	4	Cap 28
76	651833-2	1	Switch	200	652014-1	4	(+) Pan Head Screw M4x8 (With Washer)
77	682505-8	1	Cord Guard 10-90	201	654031-7	4	Cup Washer 4
78	664322-8	1	Cord With Plug 3P-16-2.5	202	654014-7	4	Insulated Eye Terminal FV2-4
79	411447-7	1	Lock Off Switch Button	203	652107-4	2	Hex Nut M4
81	341516-9	2	Stopper Plate (Type 1)	204	654038-3	2	Insulated Eye Terminal FV1.25-M4
	342789-7	2	Stopper Plate (Type 2)	<u>Accessories</u>			
82	911204-8	2	Pan Head Screw M5x8 (Type 1)	400	781202-4	1	Wrench 10-13
	922307-3	2	Hex Square Head Bolt M6x10 (Type 2)	401	781010-3	1	Wrench 19 (For Spindle Bolt)
93	953106-2	2	Rivet 0-5	402	155508-0	1	Push Block
94	941151-9	2	Flat Washer 6 (Type 2)	404	122219-2	1	Mitre Guide Assembly (Assembled Items 100-103)
95	911063-0	2	Pan Head Screw M3x35	405	781011-1	1	Wrench 22 (For Flange)
100	271401-1	1	Knob 32	406	224263-6	1	Outer Flange (For Dadoing 5/16", 3/8", 7/16" or 1/2") **
101	253047-5	1	Flat Washer 6	407	----	1	Saw Blade (See Catalogue for Details)
102	155341-0	1	Angle Rule	408	341938-3A	1	Tool Holder Set (Assembled Items 104-107)
103	163024-8	1	Guide Plate	409	122251-6	1	Saw Stand (Assembled Items 121-129)
104	912372-0	2x2	Countersunk Head Screw M6x50	410	783203-8	1	Hex Wrench 5 (For Safety Guard)
105	341889-0	2	Push Plate L	411	191452-7	1	Table Extension (Holder Set) (Assembled Items 118-120)
106	341938-3	2	Push Plate S	412	342787-1	1	Dado Table Insert (For Dadoing)
107	315430-5	1	Cap	413	122250-8	1	Rip Fence Assembly (Assembled Items 108-117)
108	265809-9	1	Countersunk Square Neck Bolt M8x500	414	191543-4	1	Dado Head Set (Includes (A) 6" Dia. Outside Cutter (1/8" thick) x 2, (B) 6" Dia. Inside Cutter (1/8" thick) x 2 & (C) 6" Dia. Inside Cutter (1/16" thick) x 1)
109	342690-6	AR	Spacer				
110	315432-1	1	Rule Holder				
111	341888-2	1	Rule Under Plate				
112	925321-8	2	(+) Hex Bolt M6x16 (Old 925316-1)				
113	164620-5	1	Ruler				
114	925321-8	2	(+) Hex Bolt M6x16				

\* SEE SERVICE CHANGE  
\*\* SEE SERVICE NOTE  
AR AS REQUIRED

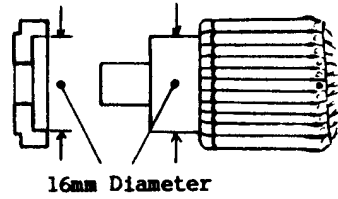
**SERVICE CHANGE**

**Change on Armature Shaft and Insulation Washer.**

Type 1



Type 2



Item No.	Description	Type 1	Type 2
10	Insulation Washer	681607-7	681623-9
15	Armature	614550-5	
		Has 14mm shaft to accept Washer.	Has 16mm shaft to accept Washer.

Above parts are completely interchangeable as a set.  
 Type 2 Insulation Washer can be used with Type 1 Armature.

**SERVICE NOTE**

**Dado Outer Flange for 5/16", 3/8", 7/16" or 1/2" Cutting Groove. (Part # 224263-6)**

